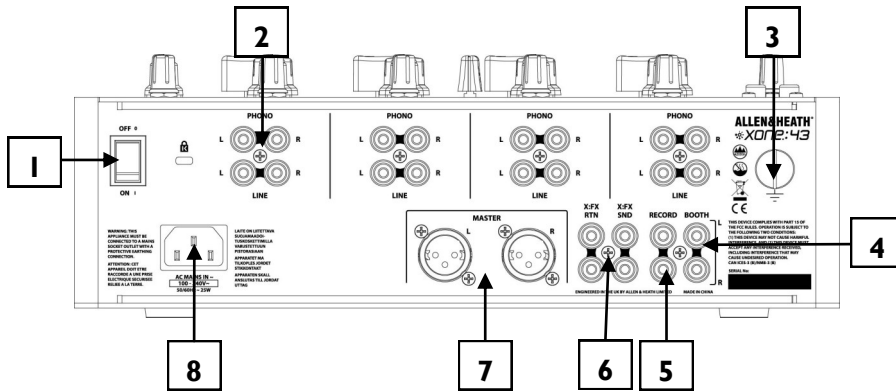


## REAR PANEL LAYOUT



### 1 Power On / Off Switch

Turn the main power to the mixer On / Off.

### 2 Phono / Line Inputs

Connect turntables with magnetic cartridges requiring RIAA equalisation to PHONO inputs. For non-RIAA turntables plug into the LINE input instead. Connect stereo line level music sources (CD players) to the LINE input.

### 3 Chassis Earth Terminal

A screw terminal is provided for connecting the earth straps from turntables.

### 4 Booth Output

Provides a line level stereo feed to the DJ local monitor.

### 5 Record Output

Pre-level mix output for connection to external recording devices.

### 6 X:FX Send / Return

Connect your external effects device and use the X:FX Dry / Wet control to send channel signals to the effects unit.

### 7 Master Output

Balanced XLR. This is the main output that feeds the house PA system.

### 8 AC Mains Input

IEC cable with moulded mains plug suitable for your local supply.

Please refer to the full Xone:43 User Guide online for more details at: <http://www.allen-heath.com>

# ALLEN & HEATH



## XONE:43

## QUICK START GUIDE

Publication AP9561

### Note

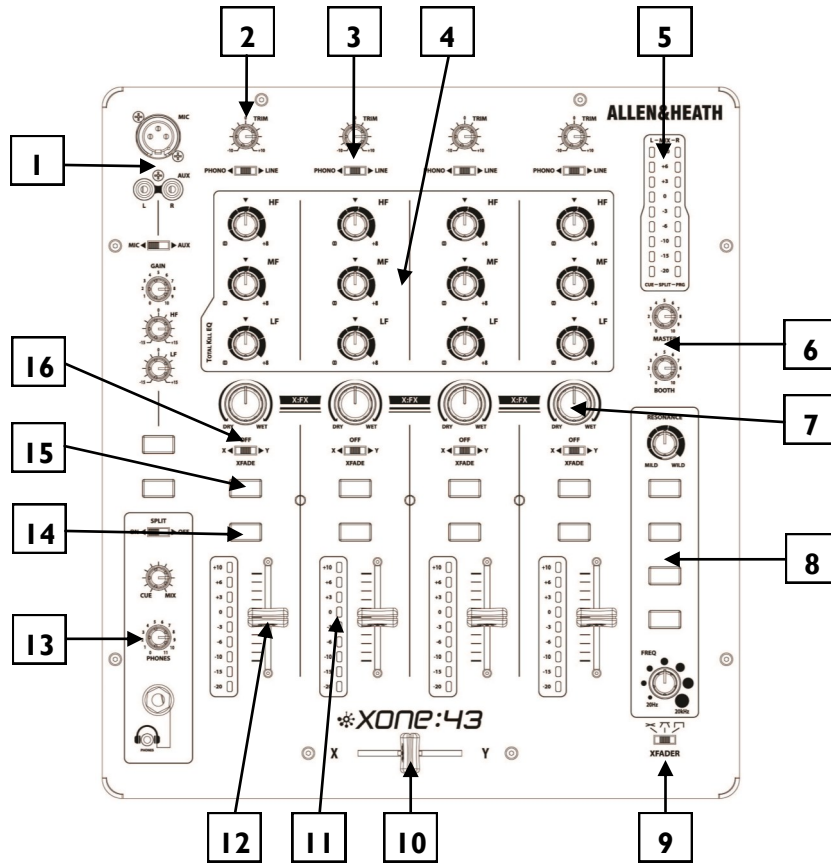
- Read the Safety Instructions Sheet and information printed on the panel before operating.
- A limited one year manufacturer's warranty applies to this product, the conditions of which can be found at: [www.allen-heath.com/legal](http://www.allen-heath.com/legal).
- Register your Xone:43 with Allen & Heath online at: <http://www.allen-heath.com/uk/support/Pages/ProductRegistration.aspx>

**МУЗЦЕНТР**  
МУЗЫКАЛЬНОЕ ОБОРУДОВАНИЕ  
<https://muzcentre.ru>

Thank you for purchasing the Allen & Heath XONE:43 DJ Mixer including four stereo dual input channels, a Mic/ Aux input channel, 45mm linear VCA channel faders, XONE VCF filter, and X:FX external effects loop for send/ return functionality with wet/dry control.

Please take the time to familiarise yourself with all controls.

## FRONT PANEL LAYOUT



### 1 Mic / Aux Input Channel

Mic Input on standard 3-Pin XLR socket wired as Pin 1 = Ground, Pin 2 = hot (+), Pin 3 = cold (-). Aux Input on dual RCA sockets for connecting an external line level source.

### 2 Channel Level Control

Adjust the signal level of an audio source with a range of +/-10dB.

### 3 Phono / Line Input Select Switch

Selects either the RCA phono input, or the alternative RCA stereo line input.

### 4 Channel Equalizer / Isolator

Each main music channel is equipped with 3 band EQ providing a controlled +6dB of boost when fully clockwise, but full isolation (cut) of each band for dramatic effect when fully anti-clockwise.

### 5 Mix / Monitor Meters

The main meters follow the selected monitor source. In Split Cue mode, the left (L) mix meter will display the cued channel signal level and the right (R) mix meter will display the mix level.

### 6 Master Level and Booth Control

Master adjusts the level of the master mix XLR outputs feeding the house sound system. This does not affect the booth output or the meter reading. Booth adjusts the level of the signal to the stereo booth RCA output. This does not affect the headphones.

### 7 X:FX Dry / Wet Send

Controls the amount of channel signal that is sent to an external effects device connected to the X:FX Send / Return on the rear panel.

### 8 Filter Section

Comprises the Resonance Control, X:FX return to VCF filter, HPF, BPF, LPF and Frequency Sweep Controls.

### 9 Crossfader Curve Control

This control adjusts the crossfader curve between dipped, dipless and fast-cut, better suited for scratch or cut mixing.

### 10 Crossfader

This lets you fade between signals routed to either side.

### 11 Channel Meter

Displays the channel signal level. It is pre-EQ and pre-fader, allowing the input level to be displayed even if the EQ is set to off on all bands.

### 12 Channel Fader

Adjusts the channel signal level from fully off to fully on.

### 13 Headphone Section

Stereo 1/4" TRS jack and 3.5mm mini-jack sockets with level control, Cue / mix control and split Cue on / off.

### 14 Cue Switch

Press the Cue switch to listen to the channel pre-fade signal in the headphones.

### 15 Filter Select

Press to route the channel signal through the VCF filter. The switch will illuminate to indicate that the channel is being sent to the filter.

### 16 XFade Assign Switch

Used to assign the channel to either the X (left), off (middle) or Y (right) side of the cross-fader.